

Datasheet: ANDANTH3

Contact Safety Temperature Thermostat with Exterior Controls

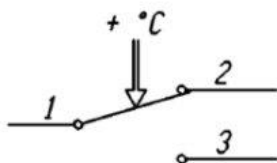
Application

Our switching application thermostats with outdoor setting are suitable for temperature monitoring and control on pipelines.

Technical Data

General information	
Limiting temperature range	+20°C ... +90°C
Tolerance	8±3K
Differential	8±3K
Protection class	IP 30
Temperature gradient	<1K/min.
Max. head temperature	+85°C
Storage temperature	-15°C...+60°C

Electrical connection



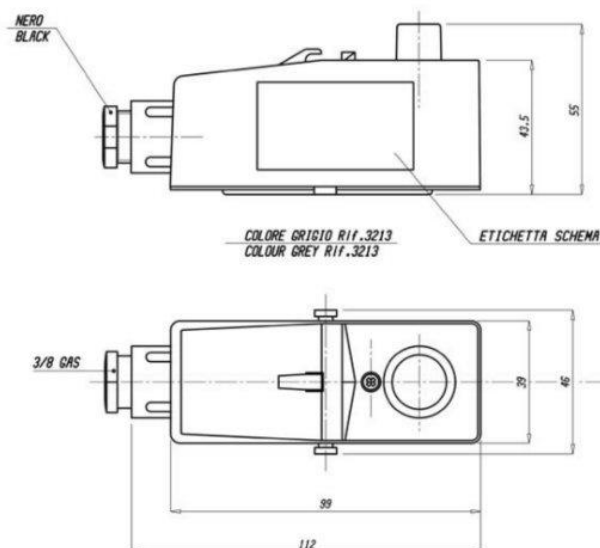
Accessories



Thermal grease



Draft



Special sensor models available on demand.

General notifications

The installation of the devices should be done only by qualified personnel. - The device may only be connected with the power off. - The safety of the VDE, the states, the TÜV and the local energy supply company must be observed. - The EMC directives must be observed. It must be shielded connecting lines, laying parallel with current-carrying - Lines should be avoided. - Operation in the vicinity of equipment that do not comply with EMC directives may adversely affect the functioning - The buyer has to ensure compliance with the relevant building and safety guidelines - This product should not be used for safety-related tasks, such as the protection of persons as an emergency stop switch on equipment. - Improper use of any defects and damages are excluded from the warranty and liability. - Consequential damages caused by a fault in this device are excluded from warranty or liability. - Solely the technical data and connecting conditions of the mounting and operating instructions supplied with the instrument. Changes are possible at any time in the sense of technical progress and the improvement of products. - Changes of the device by the user, all warranty claims.

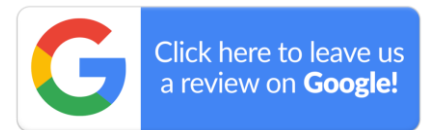
Product Web Links:

EN <https://www.andivi.com/sensors/temperature-sensors/contact-safety-temperature-thermostat-with-exterior-controls/>

SI <https://www.andivi.si/senzorji-tipala/temperaturni-senzorji-in-tipala/nalezni-termostat-za-zunanjo-postavitev/>

Review Andivi

Please **review Andivi**, our products and services on Google by clicking the link below: https://g.page/r/Ca_LsOZVdLk_EAg/review



Social Media

Follow our news, product releases and company updates on LinkedIn by clicking the link below: <https://www.linkedin.com/company/18387016>



Andivi Blog

Follow our news, product releases and company updates on Andivi Blog by clicking the link below: <https://www.andivi.com/blog>

